

# Product Catalogue



**MIDWEST  
CONCRETE**

QUALITY CONCRETE SOLUTIONS



**Stock Water Troughs**  
**Feedlot Troughs**  
**Valve Covers**  
**Septic & Water Tanks**  
**Pits & Risers**  
**Grates & Lids**  
**Headwalls**  
**Concrete Pipes**  
**Trough Fittings**

# Product Catalogue

## Contents

<b>Cattle Troughs</b>	<b>Page</b>	<b>3 - 4</b>
<b>Sheep Troughs</b>	<b>Page</b>	<b>5 - 6</b>
<b>Horse Troughs</b>	<b>Page</b>	<b>7</b>
<b>Pig Troughs</b>	<b>Page</b>	<b>8</b>
<b>Small Troughs</b>	<b>Page</b>	<b>9</b>
<b>Feedlot Troughs</b>	<b>Page</b>	<b>10</b>
<b>Float Protectors</b>	<b>Page</b>	<b>11</b>
<b>Valve Covers</b>	<b>Page</b>	<b>12</b>
<b>Septic &amp; Water Tanks</b>	<b>Page</b>	<b>13 - 15</b>
<b>450 Pits &amp; Risers</b>	<b>Page</b>	<b>16</b>
<b>600 Pits &amp; Risers</b>	<b>Page</b>	<b>17</b>
<b>900 Pits &amp; Risers</b>	<b>Page</b>	<b>18</b>
<b>900 x 600 Pits &amp; Risers</b>	<b>Page</b>	<b>19</b>
<b>Pit Specifications</b>	<b>Page</b>	<b>20</b>
<b>Grates &amp; Lids</b>	<b>Page</b>	<b>21 - 26</b>
<b>Headwalls</b>	<b>Page</b>	<b>27 - 29</b>
<b>Concrete Pipes</b>	<b>Page</b>	<b>30</b>
<b>Trough Fittings</b>	<b>Page</b>	<b>31</b>
<b>Spare Parts</b>	<b>Page</b>	<b>32</b>



# Product Catalogue

## Cattle Troughs

- **L16C – 16 ft Double Cattle Trough**

**1200L Capacity**

**5300mm Long**

**490mm High**

**1700 Kg**

**Standard 2" / 50mm Inlet**

**4" / 100mm Outlet**



- **L16LL – 16 ft Longline**

**750L Capacity**

**5570mm Long**

**395mm High**

**1400 Kg**

**Standard 2" / 50mm Inlet**

**4" / 100mm Outlet**



- **L8C – 8 ft Cattle Trough**

**650L Capacity**

**2900mm Long**

**490mm High**

**1100 Kg**

**Standard 2" / 50mm Inlet**

**4" / 100mm Outlet**



- **L8S/C – 8 ft Sheep / Cattle Trough**

**500L Capacity**

**2900mm Long**

**450mm High**

**900 Kg**

**Standard 2" / 50mm Inlet**

**4" / 100mm Outlet**



# Product Catalogue

## Cattle Troughs

- **R20 – 2000lt Round Cattle Trough**

**2000L Capacity**  
**2500mm Diameter**  
**590mm High**  
**1700 Kg**  
**Standard 2" / 50mm Inlet**  
**4" / 100mm Outlet**



- **R10 – 1000lt Round Cattle Trough**

**1000L Capacity**  
**1620mm Diameter**  
**700mm High**  
**910 Kg**  
**Standard 2" / 50mm Inlet**  
**4" / 100mm Outlet**



# Product Catalogue

## Sheep Troughs

- **L16S – 16 ft Double Sheep Trough**

**1000L Capacity**  
**5300mm Long**  
**390mm High**  
**1600 Kg**  
**Standard 2" / 50mm Inlet**  
**4" / 100mm Outlet**



- **L16LL – 16 ft Longline**

**750L Capacity**  
**5570mm Long**  
**395mm High**  
**1400 Kg**  
**Standard 2" / 50mm Inlet**  
**4" / 100mm Outlet**



- **L8S – 8 ft Sheep Trough**

**550L Capacity**  
**2900mm Long**  
**390mm High**  
**950 Kg**  
**Standard 2" / 50mm Inlet**  
**4" / 100mm Outlet**



- **L8S/C – 8 ft Sheep / Cattle Trough**

**500L Capacity**  
**2900mm Long**  
**450mm High**  
**900 Kg**  
**Standard 2" / 50mm Inlet**  
**4" / 100mm Outlet**



# Product Catalogue

## Sheep Troughs

- **R15 – 1500lt Round Sheep Trough**

**1500L Capacity**  
**2500mm Diameter**  
**450mm High**  
**1850 Kg**  
**Standard 2" / 50mm Inlet**  
**4" / 100mm Outlet**



- **R50 – 500lt Round Sheep Trough**

**500L Capacity**  
**1620mm Diameter**  
**390mm High**  
**600 Kg**  
**Standard 2" / 50mm Inlet**  
**4" / 100mm Outlet**





# Product Catalogue

## Horse Troughs

- **HD – Double Horse Trough**

**330L Capacity**

**2130mm Long**

**543mm High**

**900 Kg**

**Standard 1" / 25mm Inlet**

**4" / 100mm Outlet**



- **HS – Single Horse Trough**

**165L Capacity**

**1320mm Long**

**534mm High**

**630 Kg**

**Standard 1" / 25mm Inlet**

**4" / 100mm Outlet**



# Product Catalogue

## Pig Troughs

- **L2 – Single Pig Trough**

**140L Capacity**

**1230mm Long**

**340mm High**

**445 Kg**

**Standard 1" / 25mm Inlet**

**4" / 100mm Outlet**



- **L2X2 – Double Pig Trough**

**230L Capacity**

**1880mm Long**

**340mm High**

**640 Kg**

**Standard 1" / 25mm Inlet**

**4" / 100mm Outlet**





# Product Catalogue

## Small Troughs

- **L4 – 4ft Trough**

**250L Capacity**

**1200mm Long**

**390mm High**

**542 Kg**

**Standard 1" / 25mm Inlet**

**4" / 100mm Outlet**



- **DCT – Dog Trough**

**30L Capacity**

**820mm Long**

**350mm High**

**100 Kg**

**Standard 3/4" / 19mm Inlet**

**4" / 100mm Outlet**



## Feedlot Troughs

- **FL3M – 3 metre Feedlot Trough**

**3000mm Long**

**1250 Kg**



- **LFL3m – 3 metre Lamb Feedlot Trough**

**3000mm Long**

**460 Kg**



- **PFL24 – 2.4 metre Pig Feedlot Trough**

**2400mm Long**

**200 Kg**

- **FLE – Feedlot Ends**

**30 Kg**

## Float Protectors for Rounds

- **FP20 – Float Protector for R20**  
**790mm High**  
**250 Kg**
- **FP15 – Float Protector for R15**  
**680mm High**  
**260 Kg**
- **FP10 – Float Protector for R10**  
**853mm High**  
**250 Kg**
- **FP50 – Float Protector for R50**  
**680 High**  
**260 Kg**



# Product Catalogue

## Valve Covers

- **CVC600 – Concrete Valve Cover 600mm**  
**600mm Wide (Internal)**  
**900 High**  
**530kg**
- **CVC900 – Concrete Valve Cover 900mm**  
**900mm Wide (Internal)**  
**900 High**  
**530kg**



## Septic & Water Tanks

- **CW2050 – 2050L Collection Well**

**Overall Height 1545mm**

**Diameter 2000mm**

**Depth to Inlet 1060mm**

**Weight 2500kg**

- **CW3600 – 3600L Collection Well**

**Overall Height 1905mm**

**Diameter 2200mm**

**Depth to Inlet 1410mm**

**Weight 3500kg**

- **ST2300 – 2300L Septic Tank**

**Overall Height 1705mm**

**Diameter 2000mm**

**Depth to Inlet 1220mm**

**Weight 2800kg**

- **ST3400 – 3400L Septic Tank**

**Overall Height 1905mm**

**Diameter 2200mm**

**Depth to Inlet 1410mm**

**Weight 3500kg**



## Septic & Water Tanks

- **ST4000 – 4000L Septic Tank**

**Overall Height 1905mm**

**Diameter 2200mm**

**Depth to Inlet 1650mm**

**Weight 3500kg**

- **WT5000 – 5000L Water Tank**

**Overall Height 2285mm plus Riser**

**Diameter 2400mm**

**Depth to Inlet 1790mm**

**Weight 4190kg (with 150mm Riser)**

**4200kg (with 300mm Riser)**

**4340kg (with 450mm Riser)**

- **DP45 – Distribution Pit – Septic Tanks**

**Weight 160kg**

- **Septic Tank Risers**

**SR234 – 400mm Riser for ST2300, 1000kg**

**SR235 – 500mm Riser for ST2300, 1250kg**

**SR236 – 600mm Riser for ST2300, 1500kg**

**SR237 – 700mm Riser for ST2300, 1750kg**

**SR344 – 400mm Riser for ST3400, CW3600 & ST4000, 1000kg**

**SR345 – 500mm Riser for ST3400, CW3600 & ST4000, 1500kg**

**SR346 – 600mm Riser for ST3400, CW3600 & ST4000, 1750kg**

- **Septic Lids**

**SLLD20 – 2060mm Diameter, Light Duty, 750kg**

**SLLD18 – 1800mm Diameter, Light Duty, 500kg**

**SLLD16 – 1600mm Diameter, Light Duty, 500kg**

**SLLD14 – 1400mm Diameter, Light Duty, 500kg**

**SLLD12 – 1200mm Diameter, Light Duty, 500kg**

**SLHD20 – 2060mm Diameter, Heavy Duty, 750kg**

\*\*See Specifications [www.midwestconcrete.com.au](http://www.midwestconcrete.com.au)



# Product Catalogue

## 450 Pits & Risers

- **P450 – 450mm Pit**

**450 x 450 x 450mm**

**200kg**



- **R450150 – 150mm**

**Riser for 450 Pit**

**450 x 450 x 150mm**

**50kg**

- **R450300 – 300mm Riser for 450 Pit**

**450 x 450 x 300mm**

**100kg**

- **R450450 – 450mm Riser for 450 Pit**

**450 x 450 x 450mm**

**150kg**



# Product Catalogue

## 600 Pits & Risers

- **P600 – 600mm Pit**

**600 x 600 x 600mm**

**590kg**



- **P66750 – 600mm x 750 Pit**

**600 x 600 x 750mm**

**640kg**



- **R600150 – 150mm Riser for 600 Pit**

**600 x 600 x 150mm**

**110kg**

- **R600300 – 300mm Riser for 600 Pit**

**600 x 600 x 300mm**

**220kg**

- **R600450 – 450mm Riser for 600 Pit**

**600 x 600 x 450mm**

**340kg**

- **R600600 – 600mm Riser for 600 Pit**

**600 x 600 x 600mm**

**460kg**



# Product Catalogue

## 900 Pits & Risers

- **P900 – 900mm Pit**

**900 x 900 x 900mm**

**1100kg**



- **R900150 – 150mm Riser for 900 Pit**

**900 x 900 x 150mm**

**180kg**

- **R900300 – 300mm Riser for 900 Pit**

**900 x 900 x 300mm**

**360kg**

- **R900450 – 450mm Riser for 900 Pit**

**900 x 900 x 450mm**

**550kg**

- **R900600 – 600mm Riser for 900 Pit**

**900 x 900 x 600mm**

**460kg**

- **R900950 – 950mm Riser for 900 Pit**

**900 x 900 x 950mm**

**1200kg**

- **R9001150 – 1150mm Riser for 900 Pit**

**900 x 900 x 1150mm**

**1530kg**



# Product Catalogue

## 900 x 600 Pits & Risers

- **P966 – 900 x 600mm Pit**

**900 x 600 x 600mm**

**560kg**



- **R9615 – 150mm Riser for 900 x 600mm Pit**

**900 x 600 x 150mm**

**125kg**

- **R963 – 300mm Riser for 900 x 600mm Pit**

**900 x 600 x 300mm**

**225kg**

- **R9645 – 450mm Riser for 900 x 600mm Pit**

**900 x 600 x 450mm**

**390kg**

- **R966 – 600mm Riser for 900 x 600mm Pit**

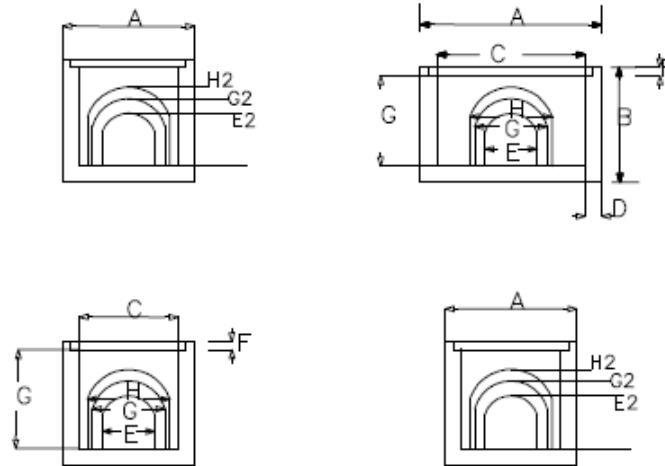
**900 x 600 x 600mm**

**535kg**



# Product Catalogue

## Pit Specifications

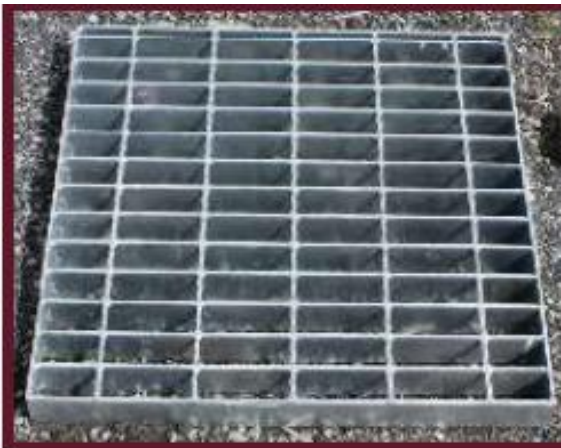


Pit Dimensions											
	A	B	C	D	E	F	G	H	H2	G2	E2
600X600 X600	800	700	600	100	320	50	600	500	480	410	320
900X900 X900	1100	1000	900	100	420	50	900	850	790	680	570
600X900 X600	1100 X 800	1000	900X 600	100	320	50	600	500	480	410	320

# Product Catalogue

## 450 Grates & Lids

- **L450 – 450mm Pit Lid**  
**Light Duty**
- **G450DI – 450mm Drop In Grate**  
**Class B – Light Vehicle Traffic**  
**540 x 540 x 50mm**
- **HG450CLB – 450mm Class B Hinged & Lockable Grate**  
**Class B – Light Vehicle Traffic**  
**540 x 540 x 50mm**
- **HG450CLD – 450mm Class D Hinged & Lockable Grate**  
**Class D – Heavy Vehicle Traffic**  
**540 x 540 x 50mm**





# Product Catalogue

## 600 Grates & Lids

- **L600LDI – 600mm Pit Lid**  
**Light Duty**  
**Sits flush with top of lid**  
**690 x 690 x 95mm**
- **L600LD – 600mm Pit Lid**  
**Light Duty**  
**Sits 40mm above top of pit**  
**770 x 770 x 95mm**
- **L600HD – 600mm Pit Lid**  
**Heavy Duty**  
**Sits 140mm above top of pit**  
**770 x 770 x 140mm**
- **G600DI – 600mm Drop In Grate**  
**Class B – Light Vehicle Traffic**  
**690 x 690 x 50mm**
- **HG66CLB – 600mm Class B Hinged & Lockable Grate**  
**Class B – Light Vehicle Traffic**  
**690 x 690 x 50mm**
- **HG66CLD – 600mm Class D Hinged & Lockable Grate**  
**Class D – Heavy Vehicle Traffic**  
**690 x 690 x 50mm**
- **L6G450CLB – Concrete Surround with Hinged Class B 450 Grate**  
**Class B – Light Vehicle Traffic**  
**770 x 770 x 140mm**

# Product Catalogue

## 600 Grates & Lids

- **L6G450CLD – Concrete Surround with Hinged Class D 450 Grate**  
**Class D - Heavy Vehicle Traffic**  
**770 x 770 x 140mm**
- **L6C450CLB – Concrete Surround with Class B 450 Iron Cover**  
**Class B - Light Vehicle Traffic**  
**770 x 770 x 140mm**
- **L6C450CLD – Concrete Surround with Class D 450 Iron Cover**  
**Class D - Heavy Vehicle Traffic**  
**770 x 770 x 140mm**



# Product Catalogue

## 900 Grates & Lids

- **L900MD – 900mm Pit Lid**  
**Medium Duty**  
**Sits 100mm above top of pit**  
**1100 x 1100mm**
- **L900HD – 900mm Pit Lid**  
**Heavy Duty**  
**Sits 150mm above top of pit**  
**1100 x 1100mm**
- **L900MDR – 900mm Pit Lid with Round Access Hole**  
**Medium Duty**  
**Sits 140mm above top of pit**  
**1100 x 1100 x 150mm**
- **L900HDR – 900mm Pit Lid with Round Access Hole**  
**Heavy Duty**  
**Sits 140mm above top of pit**  
**1100 x 1100 x 150mm**
- **L9600HDR – 900mm Pit Lid with Round Access Hole**  
**Heavy Duty**  
**Sits 140mm above top of pit**  
**1100 x 1100 x 150mm**
- **LG9600 – 900mm Pit Lid with 600mm Hinged Grate**  
**1100 x 1100mm**
- **G900DI – 900mm Drop In Grate**  
**990 x 990 x 50mm**

# Product Catalogue

## **900 Grates & Lids**

- **HG99CLB – 900mm Class B Hinged & Lockable Grate**  
**Class B – Light Vehicle Traffic**  
**990 x 990mm**
- **HG99CLD – 900mm Class D Hinged & Lockable Grate**  
**Class D – Heavy Vehicle Traffic**  
**990 x 990mm**
- **L9C45CLB – Concrete Surround with Class B 450 Iron Cover**  
**Class B - Light Vehicle Traffic**  
**1100 x 1100 x 150mm**
- **L9C45CLD – Concrete Surround with Class D 450 Iron Cover**  
**Class D - Heavy Vehicle Traffic**  
**1100 x 1100 x 150mm**
- **L9C6CLB – Concrete Surround with Class B 600 Iron Cover**  
**Class B - Light Vehicle Traffic**  
**1100 x 1100 x 150mm**
- **L9C6CLD – Concrete Surround with Class D 600 Iron Cover**  
**Class D - Heavy Vehicle Traffic**  
**1100 x 1100 x 150mm**

# Product Catalogue

## **900 x 600 Grates & Lids**

- **G966DI – 900 x 600mm Drop In Grate**  
**965 x 665 x 45mm**
  
- **G966CLD – 900 x 600mm Class D Drop In Grate**  
**Class D – Heavy Vehicle Traffic**  
**965 x 665 x 45mm**



## Headwalls

- **HW225**

**Actual Hole Size 320mm**  
**ID Pipe Size 225mm**  
**Width 1080mm**  
**Depth 520mm**  
**Weight 250kg**

- **HW300**

**Actual Hole Size 380mm**  
**ID Pipe Size 300mm**  
**Width 1080mm**  
**Depth 710mm**  
Weight 300kg

- **HW375**

**Actual Hole Size 455mm**  
**ID Pipe Size 375mm**  
**Width 1080mm**  
**Depth 710mm**  
**Weight 300kg**



- **HW450**

**Actual Hole Size 540mm**  
**ID Pipe Size 450mm**  
**Width 1600mm**  
**Depth 640mm**  
**Weight 470kg**

- **HW525**

**Actual Hole Size 655mm**  
**ID Pipe Size 525mm**  
**Width 1600mm**  
**Depth 640mm**  
**Weight 470kg**



## Headwalls

- **HW600**

**Actual Hole Size 710mm**

**ID Pipe Size 600mm**

**Width 1900mm**

**Depth 800mm**

Weight 770kg

- **HW750**

**Actual Hole Size 900mm**

**ID Pipe Size 750mm**

**Width 1900mm**

**Depth 800mm**

**Weight 720kg**

- **HW900**

**Actual Hole Size 1070mm**

**ID Pipe Size 900mm**

**Weight 1500kg**



## RTA Sloping Headwalls

- **SHW375 – RTA Sloping Headwall**

**Actual Hole Size 455mm**

**ID Pipe Size 375mm**

**Weight 700kg**

- **SHW450 – RTA Sloping Headwall**

**Actual Hole Size 540mm**

**ID Pipe Size 450mm**

**Weight 700kg**



# Product Catalogue

## Trough Fittings

- **High Pressure Float Valves (All Troughs except L4, L2 & L2X2)**

**HP 25      1"      7" Ball**

**HP 40      1 1/2"      7" Ball**



- **Hansen Poly Valve - L4, L2 & L2X2**

**HP 25      1" with Ball**



- **Low Pressure Float Valves – Cord (Round Troughs)**

**LP 25C7    1"      7" Ball**

**LP 40C    1 1/2"      7" Ball**

**LP 50C    2"      9" Ball**



- **Low Pressure Float Valves – Threaded Adjustable Arm (Long Troughs)**

**LP 25A    1"      7" Ball**

**LP 40A    1 1/2"      7" Ball**

**LP 50A    2"      9" Ball**



- **Rojo Poly Valve (Dog Troughs)**

**ROJO20    3/4" with Ball**



- **Caps with washer (plugs)**

**CW50      2"**

**CW80      3"**

**CW84      3 1/2"**

# Product Catalogue

## Spare Parts

### High Pressure Stainless Steel Arm - (no Cord) includes piston & washers

FVS02C	1	Suits HP25CSS
FVS04D	1½	Suits HP40CSS

### High Pressure Stainless Steel Arm includes piston, washers, cord & spigot

FVS14C	1	Suits HP25CSS
FVS15D	1½	Suits HP40CSS

### Low Pressure Full Flow Threaded Adjustable Arm includes piston & washers

FVS09	1	Suits FF25T7
FVS11	1 ½	Suits FF40T
FVS12	2	Suits FF50T

### Low Pressure Full Flow Arm includes piston, washers, cord & spigot

FVS16	1	Suits FF25C7
FVS18	1 ½	Suits FF40C
FVS19	2	Suits FF50C

### Rubber Piston Washers (Seals)

SAD15	¾	Suits HP25CSS & HP25TSS7
18W075	1½	Suits HP40CSS & HP40TSS
18W100	1	Suits FF25C7 & FF25T7
18W150LP	1½	Suits FF40C & FF40T
18W200LP	2	Suits FF50C & FF50T

### Black Washers for Brass Caps

WP50	2	Suits CW50
WP80	3	Suits CW80
WP84	3½	Suits CW84

### Chrome Plated Full Flow Ball Valves Made in Italy

BVMF25	1	
BVMF40	1½	

### Plastic Ball Floats

B7	7	Suits all 1 & 1½inch valves
B9	9	Suits all 2inch valves

### Adapter Arm

FVS37		Suits StockMaster valve
-------	--	-------------------------

### Diaphragm Kit

FVS36		Suits StockMaster valve
-------	--	-------------------------